

GP600 BENCHTOP FIBER OPTIC SYSTEM



The GP600 Benchtop system that can house and control any combination of DiCon optical switches, tunable optical filters, variable optical attenuators, tap detectors or other DiCon products. In addition, other components such as couplers, circulators, delay lines, etc. can be integrated upon request.

Multiple components of the same or different types can be combined together and controlled through a single Ethernet or RS-232 interface.

KEY FEATURES

- Proven DiCon technology
- Expert integration using industry best practices
- Multiple components of the same or different types
- High density design to minimize space
- Control through a single Ethernet or RS-232 interface

U.S. MILITARY & DEFENSE

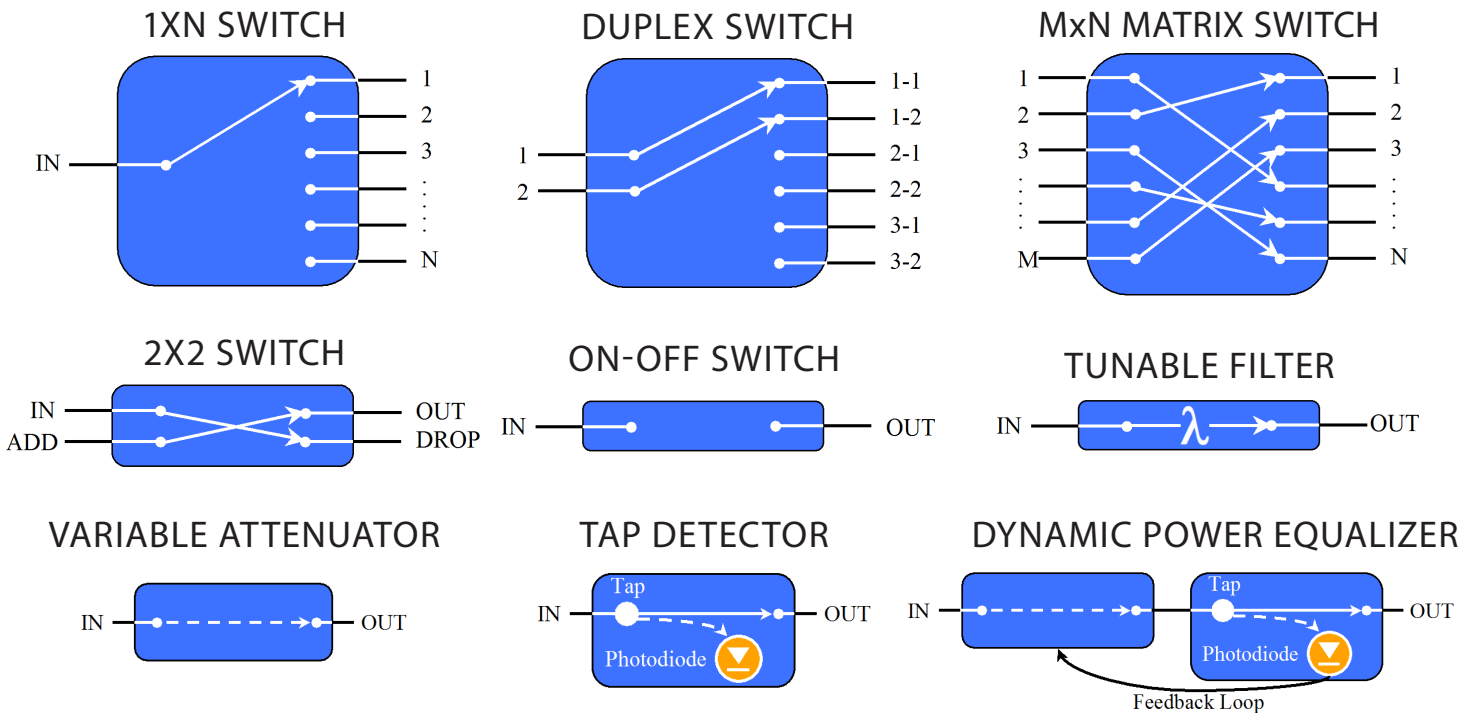
DiCon Fiberoptics is a U.S. based, AS9100 certified company. If needed, custom GP600 chassis for U.S. military and defense applications can be manufactured under ITAR or EAR control.



GP600 BENCHTOP FIBER OPTIC SYSTEM

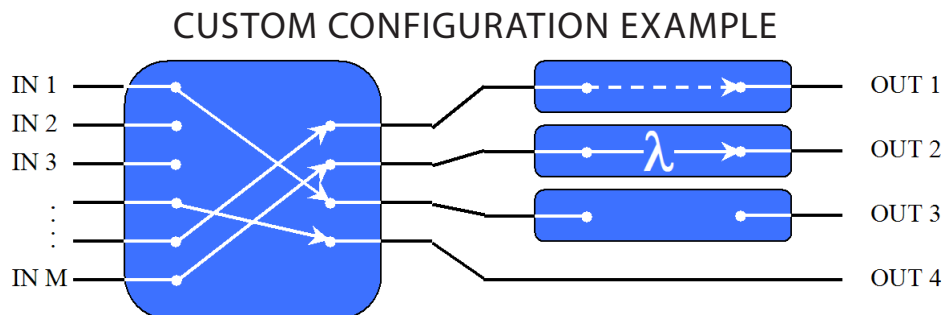
DICON COMPONENTS

A wide array of DiCon optical switches, tunable optical filters and VOAs are available, with essentially any DiCon product able to be integrated into the GP600. All solutions are optimized to the application and built with user specified component types, quantities and sizes, fiber types, wavelength ranges, etc..



CUSTOM CONFIGURATION

User specified systems can be built into the GP600, using a combination of various fiber optic components, in order to create an application specific solution. If needed, systems can be built under U.S. export control.



GP600 BENCHTOP FIBER OPTIC SYSTEM

ENVIRONMENTAL SPECIFICATIONS

PARAMETER	RATING
Operating Temp	0 to 50 °C
Storage Temp	-20 to 60 °C
Relative Humidity	0% to 80% non-condensing

ELECTRICAL SPECIFICATIONS

PARAMETER	RATING	
Control	Method	Ethernet, RS-232
	Ethernet/RS-232 Switch	Manual slide switch on rear to select control method
Power Supply	Voltage	90 - 264 VAC
	Frequency	47 - 63 Hz
	Current	1.8 A typical @ 115 VAC
	On/Off Switch	2-position toggle on rear
Connectors	Ethernet	RJ45 receptacle
	RS-232	DB9 female receptacle
	Power Supply	IEC 60320 C13 female receptacle (standard AC connector)
	Location	Rear
Power LED	On state	GP600 is on (Receiving power and power switch is in on position)
	Off state	GP600 is off (Not receiving power, or power switch is in off position)
	Location	Front

MECHANICAL DIMENSIONS

PARAMETER	RATING	
2U Half Box	Height	88 mm
	Width	210 mm
	Depth	250 mm

FRONT PANEL CONNECTOR QUANTITY

FC/APC FC/UPC	SC/APC SC/UPC	LC/APC LC/UPC
37 connectors max.	55 connectors max.	73 connectors max.